

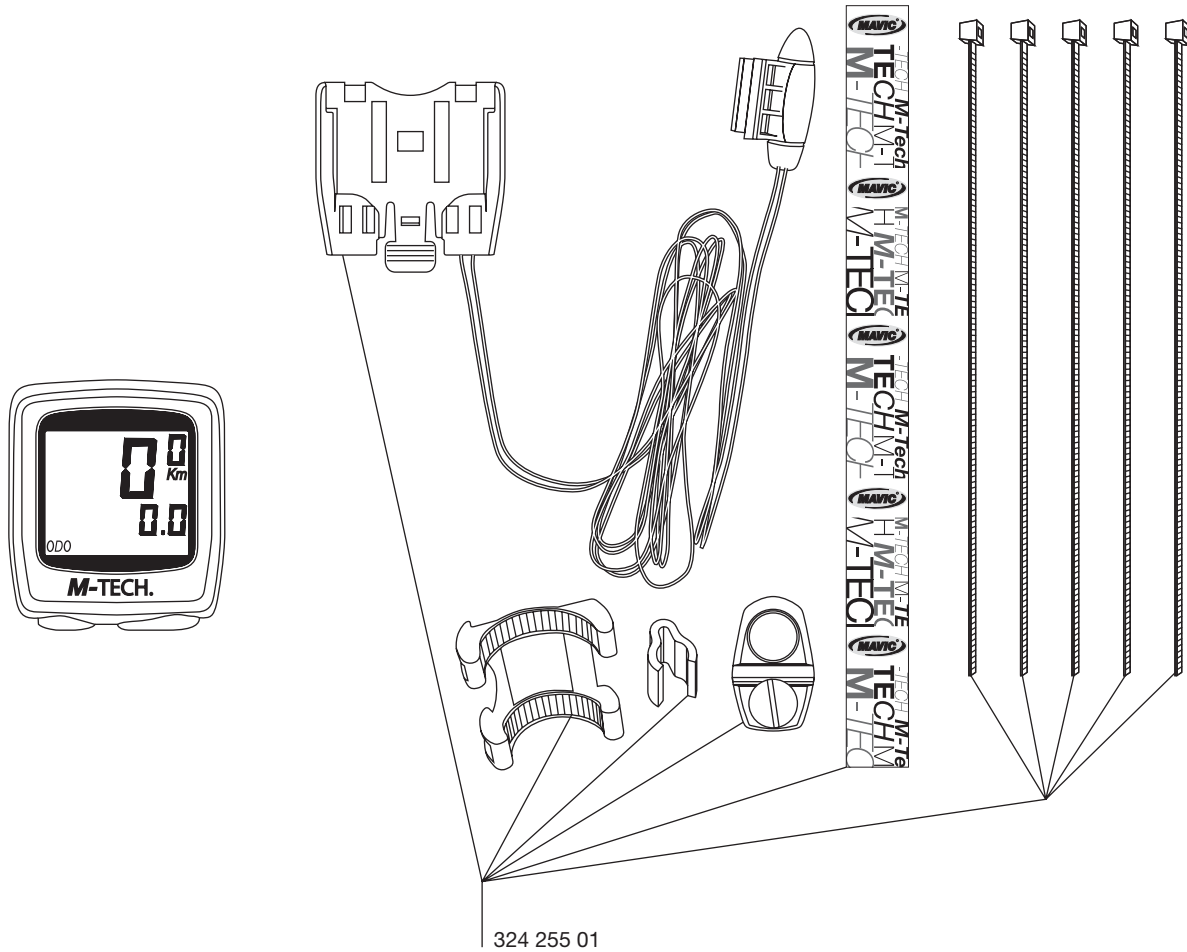
M-Tech.

USE: Use only on a Cross Country or Cross Mountain MTB, a road bike, a tandem or an Asphalt type of bike. Any other use (such as on an Extreme MTB, cyclo-Cross bike...) is strongly inadvisable, is the sole responsibility of the user and voids the Mavic warranty.

WEIGHT:
 Computer: 26 g
 Computer bracket + wire + fork sensor: 18 g

REFERENCES:
 M-Tech.9: 323 989 01
 M-Tech.7: 324 004 01
 M-Tech.5: 324 006 01

SPARE PARTS



MAINTENANCE: clean with dry cloth or soap and water
 Do not use pressurized water
 Do not store near a window exposed to the sun for a long period of time

FUNCTIONING FEATURES

Power supply: battery CR2032 (computer)
Circumference: 1000 mm to 3999 mm
Unit: kilometers or miles
Time format: 12 or 24 hours (M-Tech.9 only)
Water resistance: Resistant to rainwater. Avoid total immersion of the electronic components and do not use pressurized water

Wire length: 88 cm (+/- 0,5 cm)
Cumulative odometer: up to 99,999 km or miles
Trip distance: up to 999.9 km or miles
Stopwatch: up to 9:59:59
Speed: up to 99.9 km/h or 70 miles/h

INSTALLATION, USE AND PROGRAMMING

• **Fitting the computer bracket** See pages 34 to 35

• **Programming** See pages 30 to 32
 • **Use** See pages 32 to 33
 • **Installation** See pages 34 to 35