

# CROSSMAX™ XL DISC

Use : **Use only on a cross country MTB equipped with disc brakes.**

Any other use (such as on a tandem, road bike, cyclo-cross bike...) is highly inadvisable, and is the sole responsibility of the user, which voids the Mavic® warranty.

WHEEL WEIGHT WITHOUT SKEWER :

FRONT : 860 g.

REAR : 945 g.


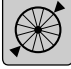

REF. WHEEL :

FRONT : M25300

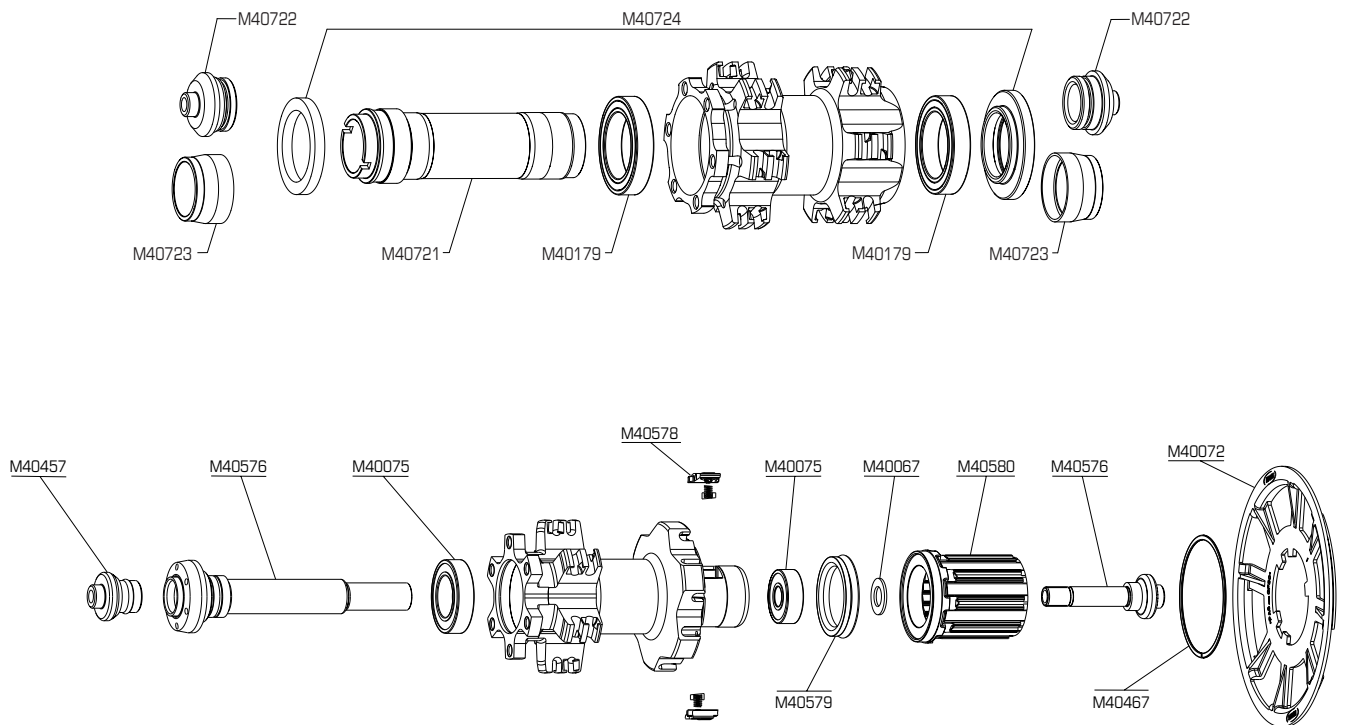
REAR : M25301

PAIR : M29087

## RIM

COMMERCIAL REFERENCES	VALVE HOLE Ø	RECOMMENDED TIRE WIDTH AND PRESSURE
Front : M40713 Rear : M40714  Do not use rim tape	 Ø : 6,5 mm UST valve M40495 Presta with Schrader adapter Length: ≥ 32 mm	 Dimensions: Ø 26' ETRTO compatible 559 x 19 Recommended tire width: 1,5 - 2,3   Recommended tire pressure: See page 6

## HUBS



**MAINTENANCE:** Clean with a dry cloth or soap and water. Do not use pressurized water.

Caution : The parts on the FTS-L free wheel (pawl assembly, springs, free wheel body) are not compatible with those on the FTS free wheel.

## WHEEL BUILDING

<b>FEATURES :</b>	Round Zicral spokes with anti-rotation system. Integrated nipples with brake ring (self-locking)	<b>LACING PATTERN :</b>	Front : 2 cross pattern on both sides Rear : 2 cross pattern on both sides
<b>REFERENCE :</b>	Front and rear ORL : M40715 length 268 mm (per 12) Rear CRL : M40717 length 250 mm (per 12)	<b>TENSION :</b>	Front disc side : 120 - 130 kg Rear free wheel side : 130 - 140 kg

## ACCESSORIES

### WHEEL DELIVERED WITH :

- Front Mavic BX601 quick release skewer: M40140
- Rear Mavic BX601 quick release skewer: M40141
- 20 mm axle adapters : M40723
- Chain Disc (with rear wheel) : M40072

- Free play adjustment wrench (with rear wheel) : M40123
- UST valve M40495
- Spoke tension and maintenance wrenches (with rear wheel) : M40494
- Instructions and warranty card

## MAINTENANCE

- |                                 |             |                               |             |
|---------------------------------|-------------|-------------------------------|-------------|
| • Replacing the front axle:     | See page 18 | • Replacing the rear bearings | See page 22 |
| • Replacing the front bearings  | See page 18 | • Replacing the spokes        | See page 24 |
| • Replacing the rear axle       | See page 19 | • Replacing the front rim     | See page 29 |
| • Replacing the free wheel body | See page 21 | • Replacing the rear rim      | See page 30 |