

CROSSLAND™

USE : Use only on an MTB equipped with disc brakes **OR** rim brakes. Any other use (such as on a road bike, tandem, cyclo-cross bike, ...) is strongly recommended, and is the sole responsibility of the user, which voids the Mavic warranty.

WHEEL WEIGHT WITHOUT SKEWER :

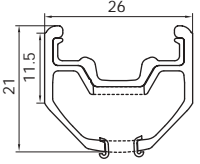



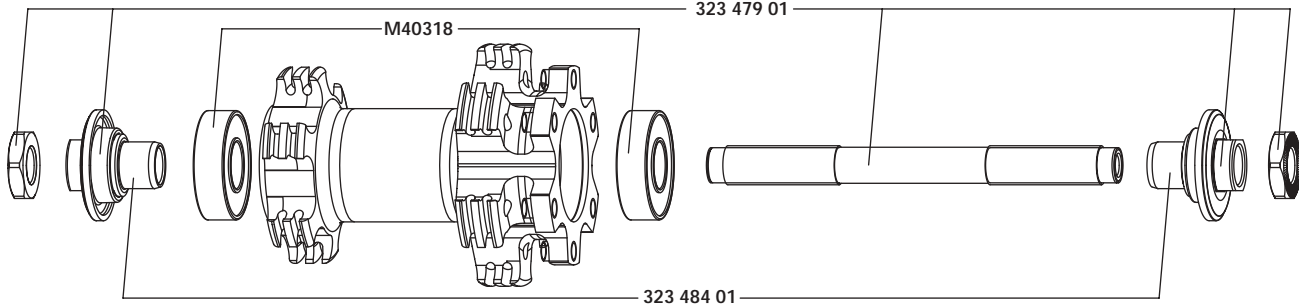
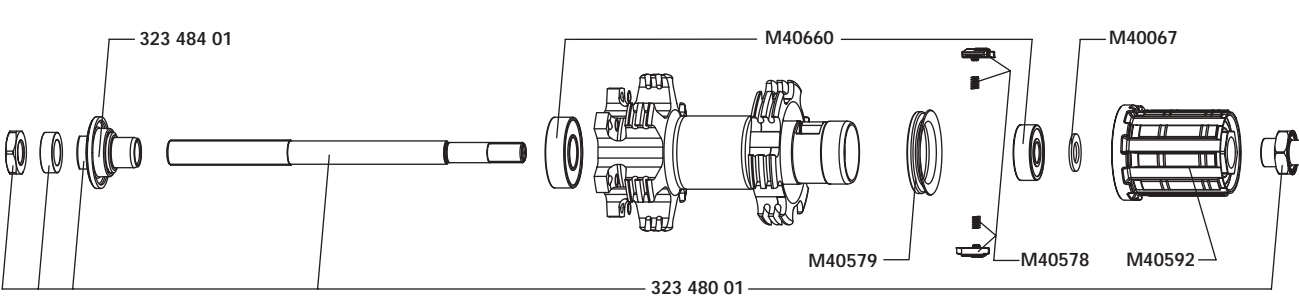
Front : 970 g
Rear : 1105 g

BLACK WHEEL REF :

Front : 323 340 10
Rear : 323 341 13
Pair : 323 404 14

SILVER WHEEL REF :

Front : 323 335 10
Rear : 323 336 13
Pair : 323 402 14

<p>RIMS</p>	<p>COMMERCIAL REFERENCES : always use with the UST rim tape that is supplied Black front and rear : 323 497 14 UST rim tape : 323 478 01 Silver front and rear : 323 496 14</p>	
	<p>VALVE HOLE Ø</p> <p>Ø : 6,5 mm Length. : = 32 mm</p> 	<p>RECOMMENDED TIRE WIDTH AND PRESSURE</p> <p>Dimensions : Ø 26" only Compatible ETRTO 559 x 19 Recommended tire width : 1,00 - 2,30</p>  <p style="text-align: right;">Recommended tire pressure : See page 05</p> 
<p>HUBS</p>	<p>MAINTENANCE : Clean with dry cloth or soap and water. Do not use pressurized water. Caution : The parts on the FTS-L free wheels (pawl assembly, springs, free wheel body) are not compatible with those on the FTS free wheels.</p>	
		
		
<p>WHEEL BUILDING</p>	<p>REFERENCE : Silver : Front and rear : 323 437 01, length 270 mm (per 12) Black : Front and rear : 323 601 01, length 270 mm (per 12)</p>	
<p>FEATURES : 2,3-2,0 round, stainless steel, straight pull spokes with ABS type of nipples (self-locking).</p>	<p>LACING PATTERN : Crossed 2 on both sides, front and rear</p>	<p>TENSION : Front and rear free wheel side : 100 - 120 kg</p>
<p>ACCESSORIES</p>	<p>WHEEL DELIVERED WITH :</p>	<p>MAINTENANCE</p>
<ul style="list-style-type: none"> • Front quick release skewer : M40350 • Rear quick release skewer : M40352 • UST rim tape • UST valve M40495 • User guide and warranty card 		<ul style="list-style-type: none"> • Replacing the front axle • Replacing the front bearings • Replacing the rear axle • Replacing the free wheel body • Replacing the rear bearings • Replacing the UST rim tape • Replacing a spoke • Replacing the front rim • Replacing the rear rim <p style="text-align: right;">See page 19 See page 19 See page 20 See page 21 See page 22 See page 23 See page 25 See page 28 See page 29</p>