

CROSSLAND™

Disc fixing: "Center Lock"

USE: Use only on a Cross Mountain or Cross Country MTB fitted with a disc or rim braking system. Any other use (such as on a tandem, Cyclo-Cross bike, road bike, downhill bike...) is strongly inadvisable, is the sole responsibility of the user and voids the Mavic warranty.

WHEEL WEIGHTS WITHOUT QUICK RELEASE SKEWER:

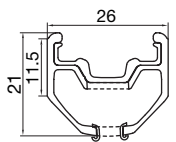

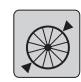

Front: 970 g
Rear: 1105 g

BLACK WHEEL REFERENCES:

Front: 323 671 10
Rear: 323 672 13
Pair: 323 749 14

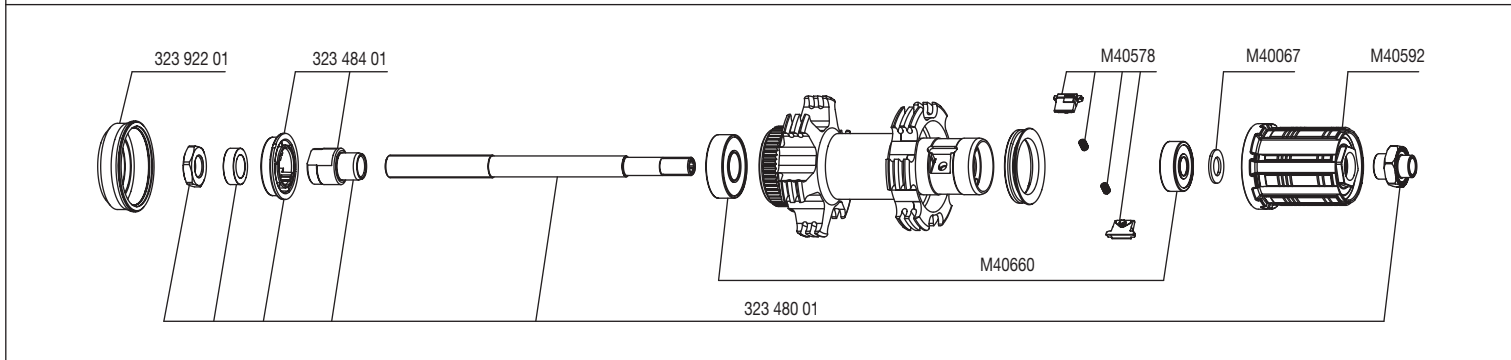
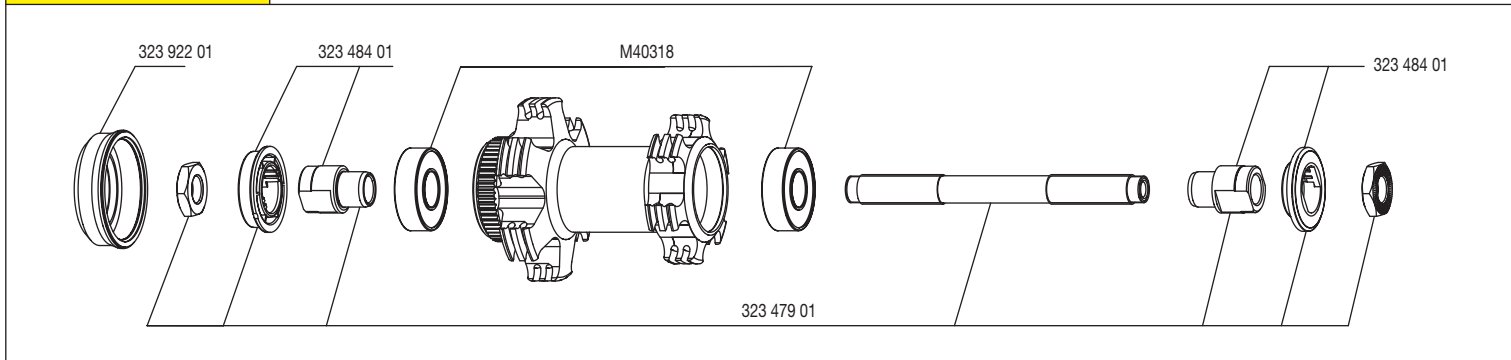
SILVER WHEEL REFERENCES:

Front: 323 669 10
Rear: 323 670 13
Pair: 323 750 14

RIMS	SALES REFERENCES: (applicable to Crossland International Standard and Crossland Center Lock wheels) Black front and rear: 323 941 14 Silver front and rear: 323 942 14 UST rim tape: 323 478 01 to replace yellow rim tapes 323 943 01 to replace grey rim tapes See explanations on page 30.	
WIDTH	Always use UST rim tape with Crossland wheels	
	VALVE HOLE Ø Ø: 6,5 mm UST valve + Schrader adapter: M40495 Length: ≥ 32 mm 	RECOMMENDED TIRE WIDTH AND PRESSURE Dimensions: Ø 26" only Compatible ETRTO 559 x 19 Recommended tire width: 1,00 to 2,30 
		Recommended tire pressure: See page 16 

HUBS

MAINTENANCE: Clean with dry cloth or soap and water. Do not use pressurized water.
Warning: The parts of the FTS-L free wheels (pawl assembly, springs, free wheel body) are not compatible with those on the FTS free wheels.



WHEEL BUILDING

REFERENCES AND LENGTHS:
 Silver front and rear: 323 437 01, length 270 (per 12 with nipples).
 Black front and rear: 323 601 01, length 270 (per 12 with nipples).

FEATURES: Silver or black, round, stainless steel, straight pull spokes with ABS nipples (self-locking).	LACING PATTERN: Front and rear: crossed 2 on both sides	TENSION: Front and rear drive side: 100 to 120 kg
--	---	---

ACCESSORIES	WHEEL DELIVERED WITH: <ul style="list-style-type: none"> • Front quick release skewer M40350 • Rear quick release skewer M40352 • Disc fixing protection hood 323 922 01 • UST Valve M40495 • User guide and warranty card Discs and locking rings not supplied.	MAINTENANCE
		For «hub and spoke lacing» maintenance procedures, refer to the 2004 technical manual or consult the website www.tech-mavic.com . The new UST rim tape See page 30 For all specifications concerning the assembly of the disc on the hub, refer to the technical documents supplied by Shimano®.