


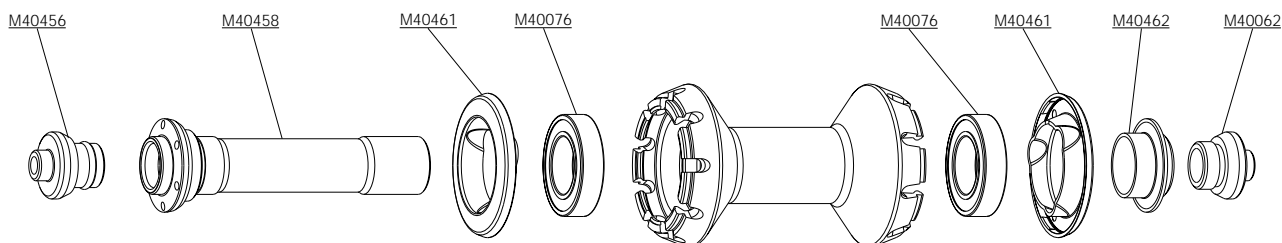


WHEEL WEIGHT WITHOUT SKEWER : FRONT : 690 g. - REAR : 890 g. FRONT WHEEL : M23300. REAR WHEEL : M23301.

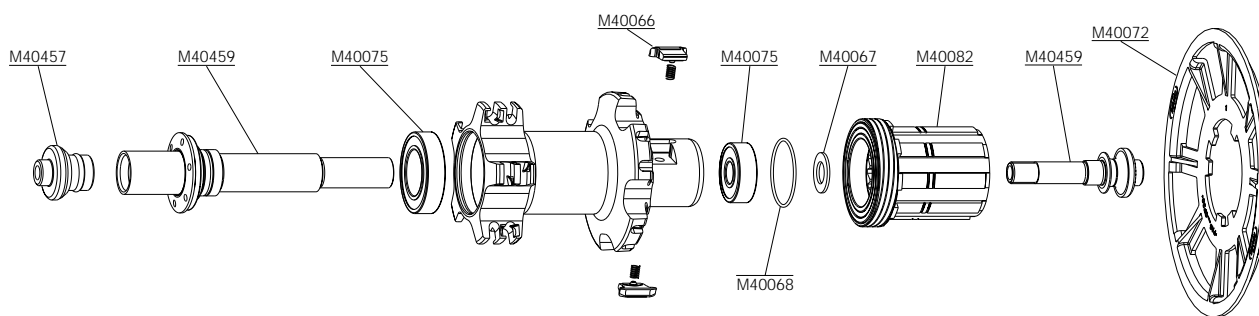
RIM	COMMERCIAL REFERENCES	Ø VALVE HOLE	SECTION OF THE TIRE AND RECOMMENDED PRESSURE	MAINTENANCE AND BRAKES
	Front M40470	 Valve UST M40495 Ø 6,5 mm or Ø 8,5 mm with adapter.	 Ø 26" : Compatible ETRTO 559 x 17. Tubeless UST® only.  See page 4. Tubeless UST® only.	Maintenance : see page 22 Brakes : see page 23 Replacing the rim : see pages 19 and 20.
	Rear M40471			
	Available through the MSC.			

HUB

FRONT HUB



REAR HUB



MAINTENANCE

Cleaning : Use a dry cloth or soap and water.
 Do not use pressurized water.
 Maintenance : see pages 10 to 15.

WHEEL BUILDING	FEATURES	TENSION	MAINTENANCE
QUANTITY PER PACKAGE : 10 Zicral spokes with anti-rotation system.	SPOKES : Reference : Front : M40482. Rear Right : M40483. Rear Left : M40484.	Front : 100 to 120 kg. Rear right : 130 to 150 kg.	Lateral and radial truing : see page 16. Replacing the spokes : see pages 17 and 18.

ACCESSORIES	WHEEL DELIVERED WITH :	
	• BX 601 Mavic quick release Front Composite : M40140.	• BX 601 Mavic quick release rear Composite : M40141. • Chain Disc. • Free play adjustment key : M40123.

- UST® valve : M40495 (10 per package).
- Key for spoke tension and maintenance : M40494.
- Instructions and warranty coupon.