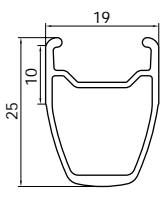

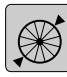

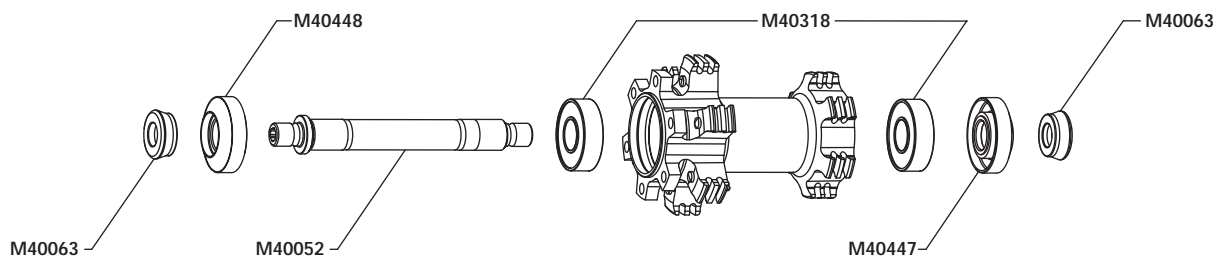
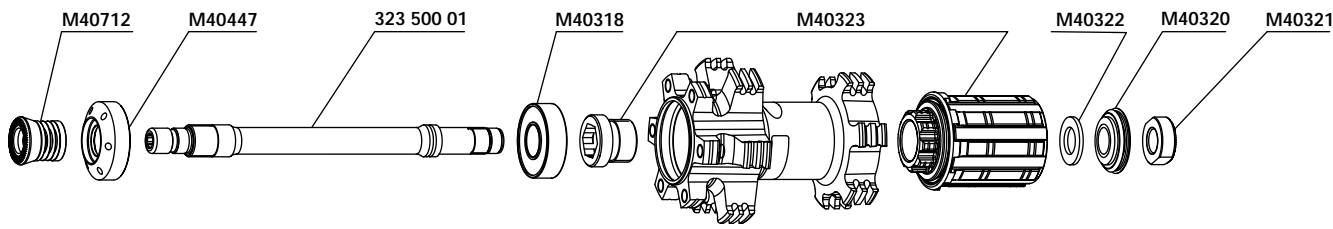


SPEEDCITY™

USE : Use only on the road, on an MTB type of bike or road bike (135 mm rear axle width) equipped with disc brakes or rim brakes. Any other use (such as on a tandem, cyclo-cross bike, or on cross-country terrain...) is strongly inadvisable, and is the sole responsibility of the user, which voids the Mavic warranty.

WHEEL WEIGHT WITHOUT SKEWER :
 Front : 865 g
 Rear : 1095 g

WHEEL REF :
 Front : 323 358 10
 Rear : 323 359 13
 Pair : 323 430 14

<p>RIMS</p>	<p>COMMERCIAL REFERENCES : Front and rear : M40706 (delivered with threaded-in eyelets) Do not use rim tape</p>	
	<p>VALVE HOLE Ø Ø : 6,5 mm Length. : = 32 mm</p> 	<p>RECOMMENDED TIRE WIDTH AND PRESSURE</p> <p>Dimensions : Ø 700 only Compatible ETRTO 622 x 13 Recommended tire width : 19 - 28</p>  <p>Recommended tire pressure : See page 05</p> 
<p>HUBS</p>	<p>MAINTENANCE : Clean with dry cloth or soap and water. Do not use pressurized water.</p>	
		
		
<p>WHEEL BUILDING</p>	<p>REFERENCE : Front and rear : 323 453 01, length 300 mm (per 12)</p>	
<p>FEATURES : 2,3-2,0 black, round, double butted, stainless steel, straight pull spokes with ABS type of nipples (self-locking). Screw-on eyelets delivered with the rim.</p>	<p>LACING PATTERN : Front : Crossed 2 on both sides Rear : Crossed 2 on both sides</p>	<p>TENSION : Front disc side : 120 - 130 kg Rear free wheel side : 120 - 130 kg</p>
<p>ACCESSORIES</p>	<p>WHEEL DELIVERED WITH :</p>	<p>MAINTENANCE</p>
<ul style="list-style-type: none"> • Front quick release skewer : M40350 • Rear quick release skewer : M40352 • Free play adjustment wrench : M40123 (with rear wheel) • User guide and warranty card 		<p>For any other maintenance procedures (removing the front hub, removing the rear hub, replacing a spoke or rim), refer to our 2003 technical manual or our website www.tech-mavic.com.</p>