




SPEEDCITY™

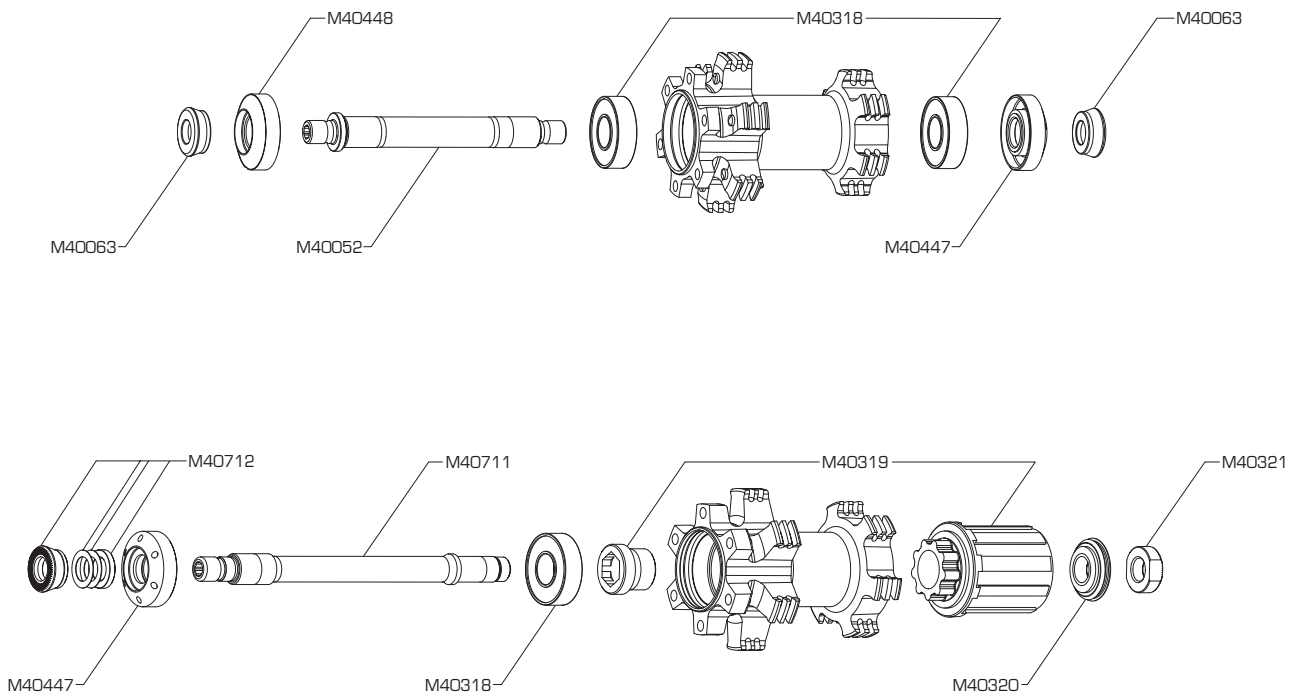
Use : **Use only on the road, on an MTB type of bike or road bike (135 mm rear axle width) equipped with disc brakes or rim brakes.** Any other use (such as on a tandem, cyclo-cross bike, or on cross country terrain...) is strongly inadvisable, and is the sole responsibility of the user, which voids the Mavic® warranty.

WHEEL WEIGHT WITHOUT SKEWER :
 FRONT : 865 g.
 REAR : 1095 g.

REF. WHEEL :
 FRONT : M25400
 REAR : M25401
 PAIR : M29089

RIM		
COMMERCIAL REFERENCES	VALVE HOLE Ø	RECOMMENDED TIRE WIDTH AND PRESSURE
Front and rear : M40706 (delivered with screw-on eyelets) Do not use rim tape	 Ø : 6,5 mm Length: ≥ 32 mm	 Dimensions: Ø 700 only ETRTO compatible 622 x 13 Recommended tire width: 19 - 32 (35 with disc brakes).  Recommended tire pressure: See page 6

HUBS



MAINTENANCE: Clean with a dry cloth or soap and water.
 Do not use pressurized water.

WHEEL BUILDING

FEATURES :	2.3-2.0 round stainless steel straight pull spokes with ABS (self-locking) type of nipples Screw-on eyelets delivered with the rim	LACING PATTERN :	Front : 2 cross pattern on both sides Rear : 2 cross pattern on both sides
REFERENCE :	Front and rear : M40707, length 299 mm (per 12)	TENSION :	Front disc side: 120 - 130 kg Rear free wheel side: 120 - 130 kg

ACCESSORIES

WHEEL DELIVERED WITH :

- Front quick release skewer : M40350
- Rear quick release skewer: M40352
- Free play adjustment wrench : M40123 (with rear wheel)
- Instructions and warranty card

MAINTENANCE

- | | | | |
|---------------------------------|-------------|-------------------------------|-------------|
| • Replacing the front axle: | See page 17 | • Replacing the rear bearings | See page 21 |
| • Replacing the front bearings | See page 17 | • Replacing the spokes | See page 23 |
| • Replacing the rear axle | See page 19 | • Replacing the front rim | See page 25 |
| • Replacing the free wheel body | See page 20 | • Replacing the rear rim | See page 26 |