

KSYRIUM™ EQUIPE

USE: use only on a road bike. Any other use (such as on a tandem, cyclo-cross bike, or off-road use...) is strongly inadvisable, is the sole responsibility of the user and voids the Mavic warranty.

WHEEL WEIGHTS WITHOUT QUICK RELEASE SKEWER:




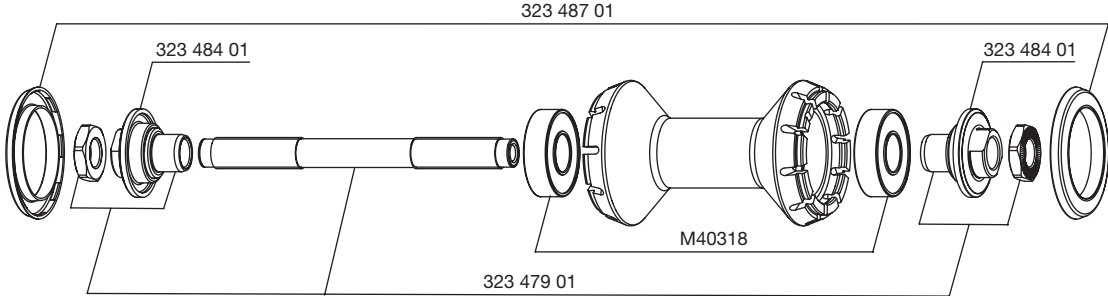
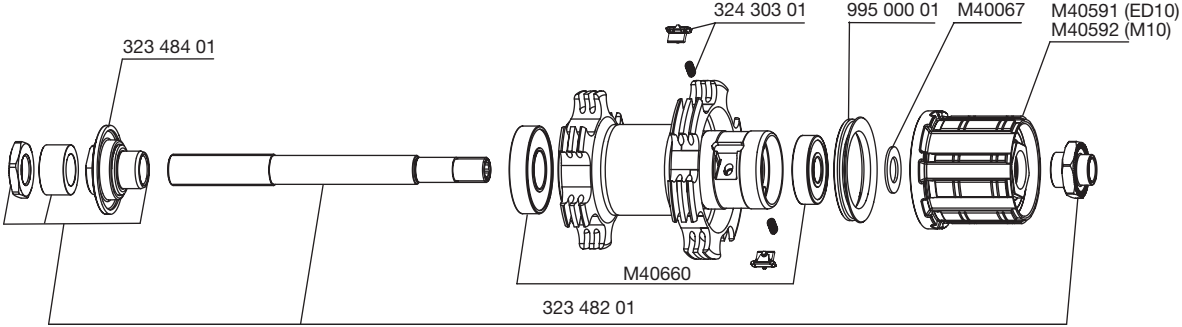
Front: 845 g
Rear M10 : 1010 g
Rear ED10 : 995 g

BLACK WHEEL REFERENCES:

Front: 324 041 10
Rear M10: 324 042 11
Rear ED10: 324 043 12
Pair M10: 324 047 14
Pair ED10: 324 048 14

SILVER WHEEL REFERENCES:

Front: 324 051 10
Rear M10: 324 052 11
Rear ED10: 324 053 12
Pair M10: 324 057 14
Pair ED10: 324 058 14

RIMS	SALES REFERENCES: Black: Front: 324 174 10 Rear: 324 174 13 Silver: Front: 324 175 10 Rear: 324 175 13									
WIDTH	VALVE HOLE Ø  Ø: 6,5 mm Length.: ≥ 32 mm	RECOMMENDED TIRE WIDTH AND PRESSURE  Dimensions : Ø 700 only ETRTO 622 x 13 compatible Recommended tire width: 19 to 28  Recommended tire pressure: See page 14								
HUBS	MAINTENANCE: clean with dry cloth or soap and water Do not use pressurized water									
										
										
WHEEL BUILDING	REFERENCES AND LENGTHS: <table border="0"> <tr> <td>Black front:</td> <td>324 186 01, length 284 mm (per 10 with nipples)</td> </tr> <tr> <td>Black rear:</td> <td>324 187 01, length 300 mm (per 12 with nipples)</td> </tr> <tr> <td>Silver front:</td> <td>324 188 01, length 284 mm (per 10 with nipples)</td> </tr> <tr> <td>Silver rear:</td> <td>324 189 01, length 300 mm (per 12 with nipples)</td> </tr> </table>		Black front:	324 186 01, length 284 mm (per 10 with nipples)	Black rear:	324 187 01, length 300 mm (per 12 with nipples)	Silver front:	324 188 01, length 284 mm (per 10 with nipples)	Silver rear:	324 189 01, length 300 mm (per 12 with nipples)
Black front:	324 186 01, length 284 mm (per 10 with nipples)									
Black rear:	324 187 01, length 300 mm (per 12 with nipples)									
Silver front:	324 188 01, length 284 mm (per 10 with nipples)									
Silver rear:	324 189 01, length 300 mm (per 12 with nipples)									
FEATURES:	LACING PATTERN:	TENSION :								
Silver or black, profiled, stainless steel, straight pull spokes with ABS nipples (self-locking)	Front: radial Rear: crossed 2 on both sides	Front: 75 to 100 kg Rear free wheel side: 130 to 160 kg								
ACCESSORIES	WHEEL DELIVERED WITH:	MAINTENANCE								
<ul style="list-style-type: none"> Traditional aluminum front quick release skewer M40350 Traditional aluminum rear quick release skewer M40351 ED10 12D locking ring M40640 (with rear wheel) Rim tape 622x18x0.6 User guide and warranty card 		For all maintenance procedures (hubs, spoke lacing...), refer to the 2004 technical manual or consult the website www.tech-mavic.com								