

# KSYRIUM™ EQUIPE

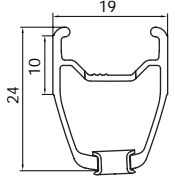

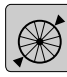

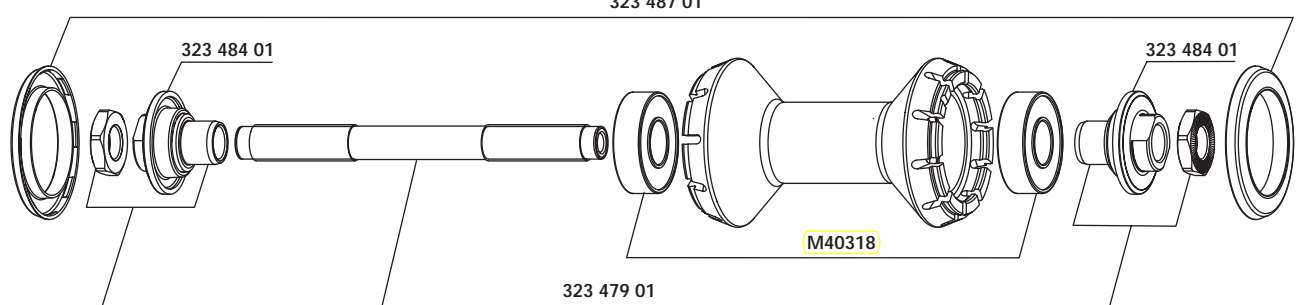
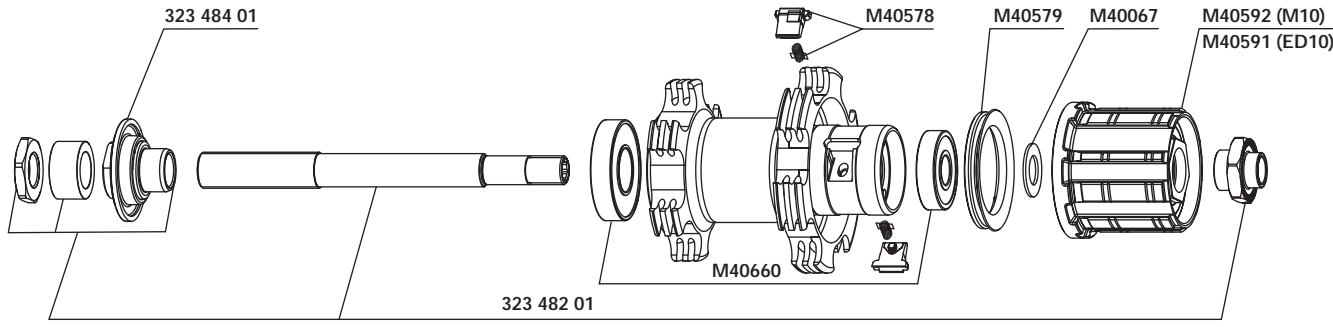
**USE :** Use only on a road bike. Any other use (such as on a tandem, cyclo-cross bike, mountain bike...) is strongly inadvisable, and is the sole responsibility of the user, which voids the Mavic warranty.

**WHEEL WEIGHT WITHOUT SKEWER :**

Front : 835 g  
Rear : 1000 g

**REFERENCES :**

Front : 323 342 10  
Rear M10 : 323 343 11  
Rear ED 10 : 323 344 12  
Pair M10 : 323 410 14  
Pair ED10 : 323 411 14

<p><b>RIMS</b></p>	<p><b>COMMERCIAL REFERENCES :</b> Front : 323 491 10 Rear : 323 491 13</p>	
	<p><b>VALVE HOLE Ø</b> Ø : 6,5 mm Length. : = 32 mm</p> 	<p><b>RECOMMENDED TIRE WIDTH AND PRESSURE</b></p> <p>Dimensions : Ø 700 only Compatible ETRTO 622 x 13 Recommended tire width : 19 - 28</p>  <p>Recommended tire pressure : See page 05</p> 
<p><b>HUBS</b></p>	<p><b>MAINTENANCE :</b> Clean with dry cloth or soap and water. Do not use pressurized water. <b>Caution :</b> The parts on the FTS-L free wheels (pawl assembly, springs, free wheel body) are not compatible with those on the FTS free wheels.</p>	
		
		
<p><b>WHEEL BUILDING</b></p>	<p><b>REFERENCE :</b> Front : 323 452 01, length 284 mm (per 10) Rear : 323 453 01, length 300 mm (per 12)</p>	
<p><b>FEATURES :</b> 2,3-2,0 round, double butted, stainless steel, straight pull spokes with ABS type of nipples (self-locking).</p>	<p><b>LACING PATTERN :</b> Front : Radial Rear : Crossed 2 on both sides</p>	<p><b>TENSION :</b> Front : 70 - 100 kg Rear free wheel side : 130 - 160 kg</p>
<p><b>ACCESSORIES</b></p>	<p><b>WHEEL DELIVERED WITH :</b></p>	<p><b>MAINTENANCE</b></p>
<ul style="list-style-type: none"> <li>• Front quick release skewer : M40350</li> <li>• Rear quick release skewer : M40351</li> <li>• User guide and warranty card</li> <li>• Rim tape</li> </ul>		<ul style="list-style-type: none"> <li>• Replacing the front axle</li> <li>• Replacing the front bearings</li> <li>• Replacing the rear axle</li> <li>• Replacing the free wheel body</li> <li>• Replacing the rear bearings</li> <li>• Replacing a spoke</li> <li>• Replacing the front rim</li> <li>• Replacing the rear rim</li> </ul> <p style="text-align: right;">See page 19 See page 19 See page 20 See page 21 See page 22 See page 25 See page 26 See page 27</p>