

Use: **to be used only on a road bike.** Any other use (such as on a tandem, mountain bike, cyclo-cross bike) is inadvisable, and is the sole responsibility of the user, which voids the Mavic warranty.

WHEEL WEIGHT WITHOUT SKEWER:

FRONT: 755g




REAR M10: 960g REAR ED10: 940g

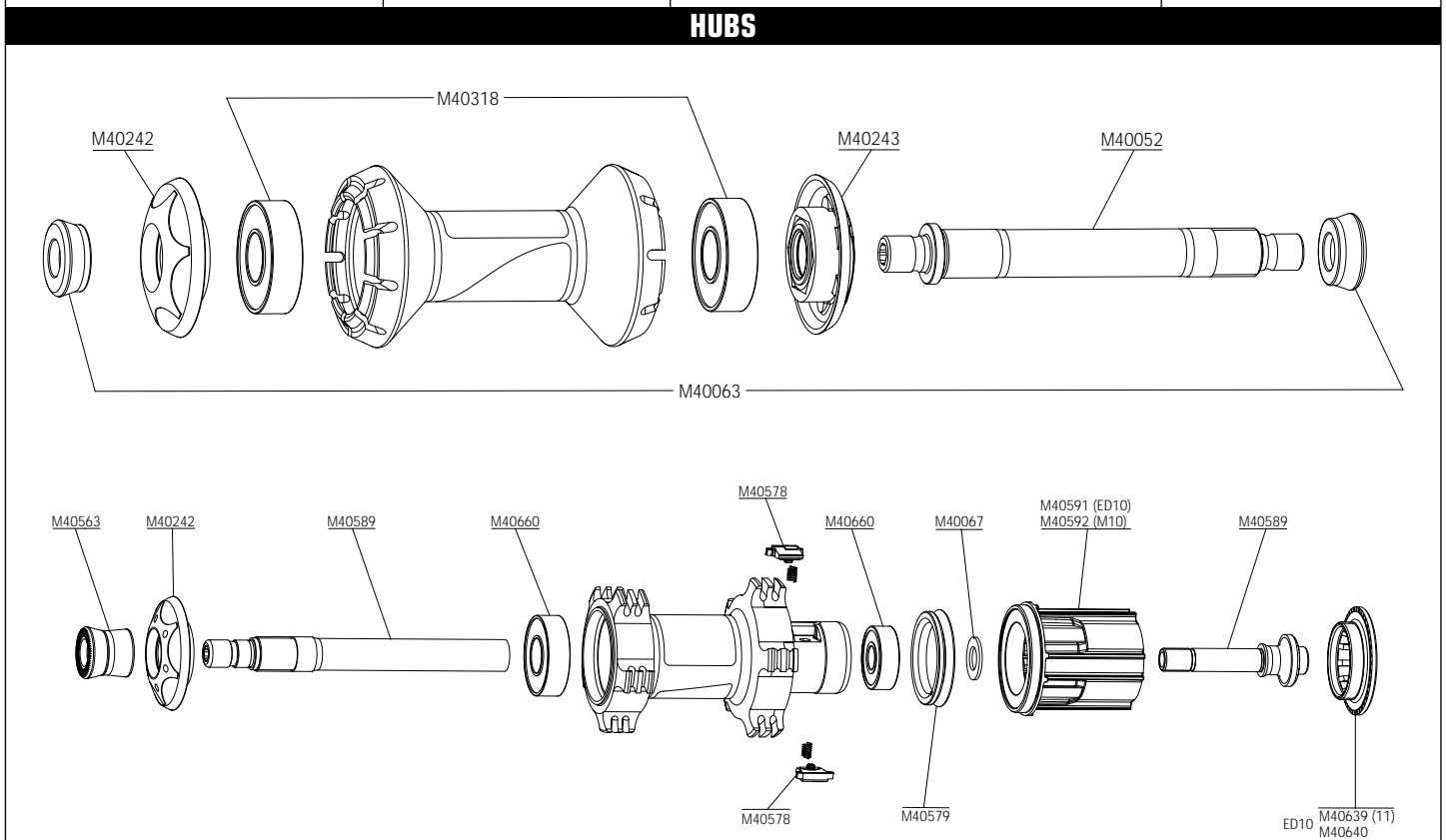
CLINCHER WHEEL REF:

FRONT: M24500

REAR M10: M24501

REAR ED10: M24502

RIM			
COMMERCIAL REFERENCES	Ø VALVE HOLE	RECOMMENDED TIRE WIDTH AND PRESSURE	MAINTENANCE AND BRAKES
Front: M40653 Rear: M40663 <b>Rim delivered with screwed eyelets</b>	 Ø: 6,5 mm Length: ≥ 32 mm	 Ø 700: ETRTO compatible 622 x 13 Width: see page 4  Width: see page 4	Maintenance: see page 16 and 17 Brakes: see page 17 Replacing the rim: see page 13
Available through the MSC			



**MAINTENANCE:** Clean with a dry cloth or soap and water.

Do not use pressurized water. Maintenance: see pages 9 and 13 and 2000 Technical Manual pages 11, 13 and 15.

**Caution: the parts on the free wheel (pawl assembly, springs, free wheel body) FTS-L version 2001 / 2002 are not compatible with those on the 2000 version of the FTS free wheel and before.**

### WHEEL BUILDING

FEATURES	TENSION	MAINTENANCE
<b>QUANTITY PER PACKAGE:</b> 10 stainless steel spokes + 10 ABS type of nipples <b>REFERENCE:</b> Front: M40654 length 203 mm Rear: M40656 length 303 mm <b>LACING PATTERN:</b> Front: radial Rear: 2 cross pattern To make the spokes shiny, rub them with an oiled cloth.	front: 110 - 130 kg Rear free wheel side: 140 - 160 kg	Lateral and radial truing: see 2001 Technical manual page 20 Replacing spokes: see page 12

### ACCESSORIES

<b>WHEEL DELIVERED WITH:</b> • Front quick release skewer: M40350 • Rear quick release skewer: M40351 • Free play adjustment wrench: M40123 (with rear wheel only)	• Spoke maintenance wrench: M40567 (with rear wheel only) • Instructions and warranty card.
---	--