

COSMOS™

USE : Use only on a road bike. Any other use (such as on a tandem, cyclo-cross bike, mountain bike...) is strongly inadvisable, and is the sole responsibility of the user, which voids the Mavic warranty.

WHEEL WEIGHT WITHOUT SKEWER :

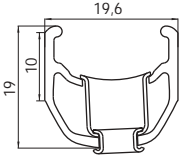

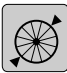
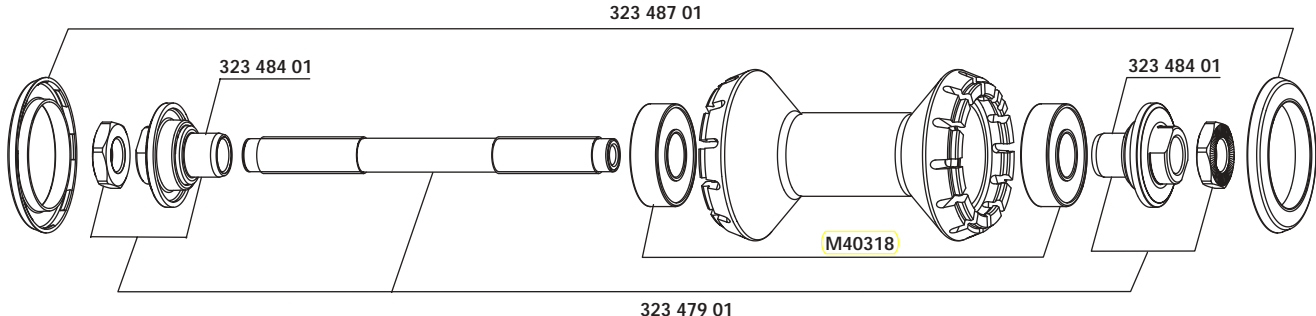
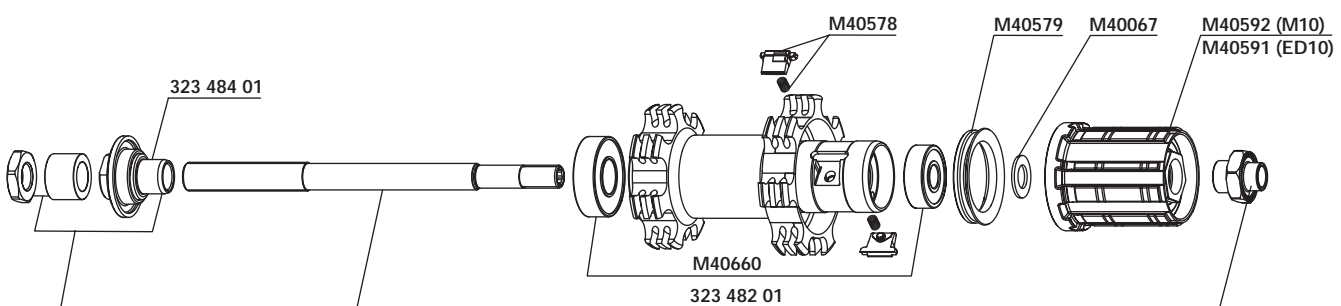
Front : 815g
Rear : 990 g

REF BLACK WHEELS :

Front : 323 350 10
Rear M10 : 323 351 11
Rear ED 10 : 323 352 12
Pair M10 : 323 418 14
Pair ED10 : 323 419 14

REF SILVER WHEELS :

Front : 323 347 10
Rear M10 : 323 348 11
Rear ED10 : 323 349 12
Pair M10 : 323 416 14
Pair ED10 : 323 417 14

RIMS	<p>COMMERCIAL REFERENCES : Front Black : 323 492 10 Front Silver : 323 493 10 Rear Black : 323 492 13 Rear Silver : 323 493 13</p>	
	<p>VALVE HOLE Ø</p> <p>Ø : 6,5 mm Length. : = 32 mm</p> 	<p>RECOMMENDED TIRE WIDTH AND PRESSURE</p> <p>Dimensions : Ø 700 only Compatible ETRTO 622 x 13 Recommended tire width : 19 - 28</p> 
HUBS	<p>MAINTENANCE : Clean with dry cloth or soap and water. Do not use pressurized water. Caution : The parts on the FTS-L free wheel (pawl assembly, springs, free wheel body) are not compatible with those on the FTS free wheel.</p>	
		
		
WHEEL BUILDING	<p>REFERENCE : Front : 323 442 01, length 290 mm (per 12) Rear FWS : 323 443 01, length 309 mm (per 14) Rear OFW : 323 444 01, length 311 mm (per 14)</p>	
<p>FEATURES : 2,3-2,0 round, double butted, stainless steel, straight pull spokes with ABS type of nipples(self-locking).</p>	<p>LACING PATTERN : Front : Radial Rear : Crossed 3 on both sides</p>	<p>TENSION : Front : 70 - 100 kg Rear free wheel side : 130 - 160 kg</p>
ACCESSORIES	<p>WHEEL DELIVERED WITH :</p> <ul style="list-style-type: none"> • Front quick release skewer : M40350 • Rear quick release skewer : M40351 • User guide and warranty card • Rim tape 	MAINTENANCE
		<ul style="list-style-type: none"> • Replacing the front axle See page 19 • Replacing the front bearings See page 19 • Replacing the rear axle See page 20 • Replacing the free wheel body See page 21 • Replacing the rear bearings See page 22 • Replacing a spoke See page 25 • Replacing the front rim See page 26 • Replacing the rear rim See page 27