




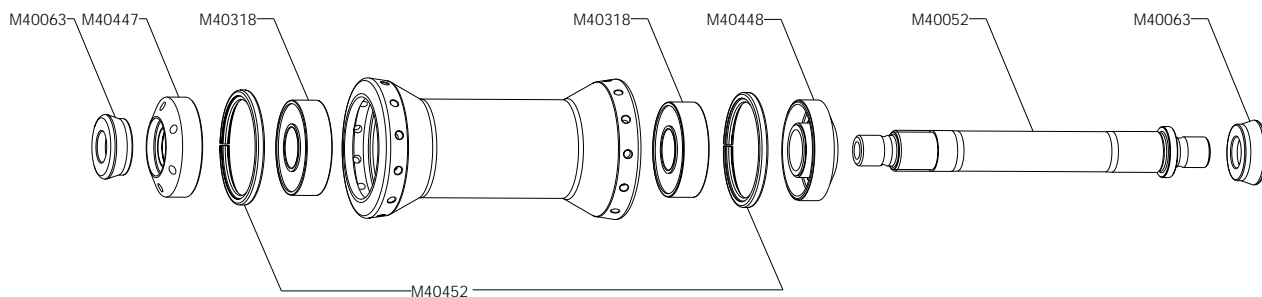
WHEEL WEIGHT WITHOUT SKEWER : FRONT : 750 g. - REAR : 1050 g.

BLACK FRONT WHEEL : M23400. BLACK REAR WHEEL : M23401. BLUE FRONT WHEEL : M23402. BLUE REAR WHEEL : M23403.

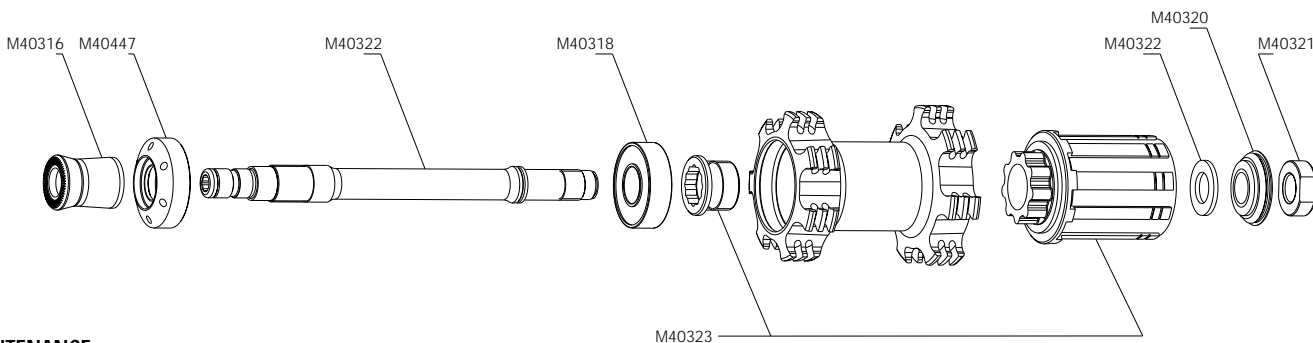
RIM	COMMERCIAL REFERENCES	Ø VALVE HOLE	SECTION OF THE TIRE AND RECOMMENDED PRESSURE	MAINTENANCE AND BRAKES
	Black front : M40531. Black rear : M40532. Blue front : M40533. Blue rear : M40534.	 Ø 6,5 mm L ≥ 32 mm	 Ø 700 : Compatible ETRTO 622 x 13 (Clincher) Section : See page 4.   See page 4.	Maintenance : see page 22. Brakes : see page 23.
	Available through the MSC.			

## HUB

### HUB FRONT



### REAR HUB



### MAINTENANCE :

Cleaning : Use a dry cloth or soap and water.

Do not use pressurized water.

Maintenance : see pages 10 - 15.

WHEEL BUILDING	FEATURES		TENSION	MAINTENANCE
<b>QUANTITY PER PACKAGE :</b> 10 spokes with anti rotation system + 10 nipples. <b>NIPPLES :</b> Front nipples : nickle plated brass, spherical head, 12 mm. Rear nipples : nickle plated brass, ABS system, 12 mm.	<b>SPOKES :</b> Length and reference : Black front : 287 mm / M40520. Black rear right : 308 mm / M40523. Black rear left : 310 mm / M40524. Stainless steel front :	287 mm / M40519. Stainless steel right : 308 mm / M40521. Stainless steel rear left : 310 mm / M40522.  <b>LACING PATTERN :</b> Front : radial. Rear : 3 cross pattern.	Front : 70 - 90 kg. Rear right : 100 - 120 kg.	Lateral and radial truing : see page 16. Replacing the spokes : see pages 17 - 18.

### ACCESSORIES

#### WHEEL DELIVERED WITH :

- Front quick release : M40350.
- Rear quick release : M40351.

- Rim tape 18 x 622 mm : M40105.
- Free play adjustment key : M40123.

- Instructions and warranty coupon.