

COSMIC® CARBONE™ SL

USE: Use only on a road bike. Any other use (such as on a tandem, Cyclo-Cross bike, mountain bike...) is strongly inadvisable, is the sole responsibility of the user and voids the Mavic warranty.

WHEEL WEIGHTS WITHOUT QUICK RELEASE SKEWER:

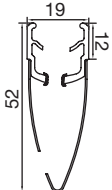


Clincher: Front: 787 g
Rear: 978 g (ED10)
Tubular: Front: 762 g
Rear: 953 g (ED10)

REF. CLINCHER WHEELS:

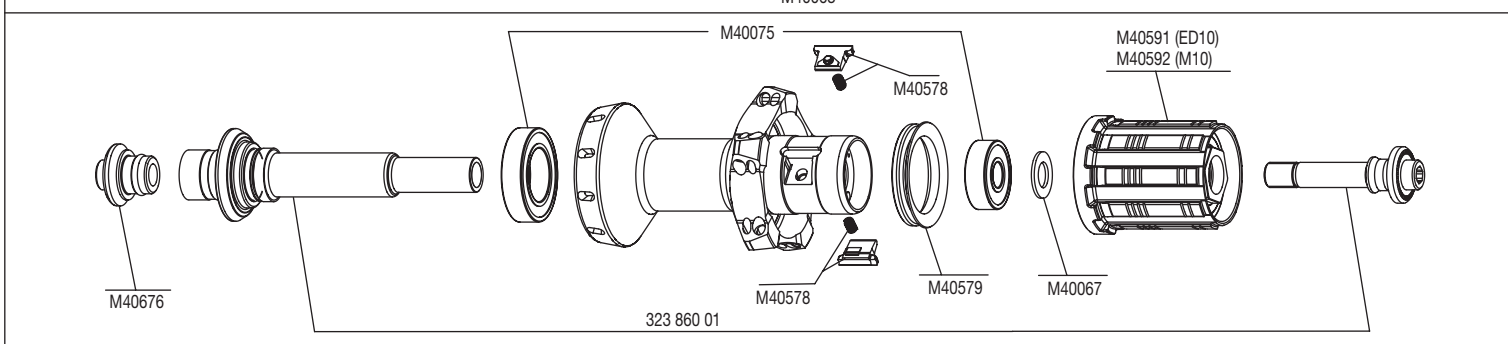
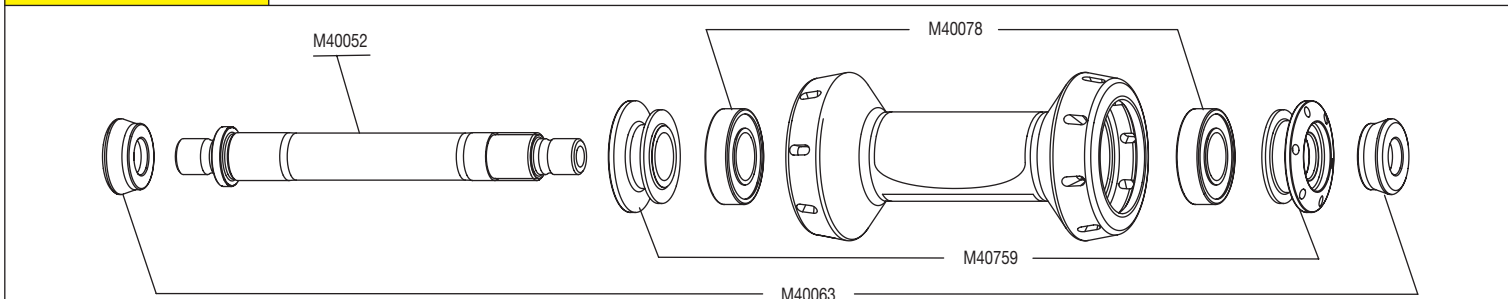
Front: 323 604 10
Rear M10: 323 607 11
Rear ED10: 323 608 12
Pair M10: 323 759 14
Pair ED10: 323 760 14

REF. TUBULAR WHEELS:

Front: 323 666 10
Rear M10: 323 667 11
Rear ED10: 323 668 12
Pair M10: 323 737 14
Pair ED10: 323 738 14

RIMS	SALES REFERENCES:	
	Clincher: Front: 323 852 10 Rear: 323 852 13	Tubular: Front: 332 853 10 Rear: 323 853 13
WIDTH	VALVE HOLE Ø	RECOMMENDED TIRE WIDTH AND PRESSURE
	Ø: 6,5 mm Valve extender M40013. Length: ≥ 55 mm 	Dimensions: Ø 700 only Clincher: ETRTO 622 x 13 compatible Recommended tire width: 19 to 28 Tubular: 28" 
		Recommended tire pressure: See page 16

HUBS	MAINTENANCE: Clean with dry cloth or soap and water. Do not use pressurized water. Warning: The parts of the FTS-L free wheels (pawl assembly, springs, free wheel body) are not compatible with those on the FTS free wheels.
-------------	---



WHEEL BUILDING	REFERENCES AND LENGTHS:	Front: 323 903 01, length 291 (per 8 with nipples) (Ø thread: 2.3 mm). Rear free wheel side: 323 904 01, length 307 (per 10 with nipples) (Ø thread: 2.6mm). Rear non drive side: 323 905 01, length 289 (per 10 with nipples) (Ø thread: 2.6mm).
-----------------------	--------------------------------	---

FEATURES: Black, ultra bladed, stainless steel, straight pull spokes with ABS nipples (self-locking). Yellow front nipples (Ø thread 2.3 mm). Rear nipples (Ø thread 2.6 mm).	LACING PATTERN: Front: radial Rear: crossed 2 drive side, radial non drive side.	TENSION: Front: 105 to 145 kg Rear free wheel side: 120 to 160 kg
---	---	--

ACCESSORIES	WHEEL DELIVERED WITH:	MAINTENANCE
<ul style="list-style-type: none"> • High tightening front quick release composite skewer BR 601: M40149 • High tightening rear quick release composite skewer BR 601: M40150 • Valve extender M40013 • Black padded wheel bags M40135 • Computer magnet M40540 (with front wheel) • Angled spoke wrench M40001 (with rear wheel) • Wrench for aerodynamic spokes M40567 (with rear wheel) • Free play adjustment wrench M40123 (with rear wheel) • ED10 12D locking ring M40640 (with rear wheel ED10) • Rim tape (clincher version) • User guide and warranty card 		<ul style="list-style-type: none"> • Replacing the front axle See page 20 • Replacing the front bearings See page 20 • Replacing the rear axle See 2003 TM, p.19 • Replacing the free wheel body See 2003 TM, p.21 • Replacing the rear bearings See 2003 TM, p.22 • Replacing a spoke See page 23 • Replacing the front rim See page 24 • Replacing the rear rim See page 27