






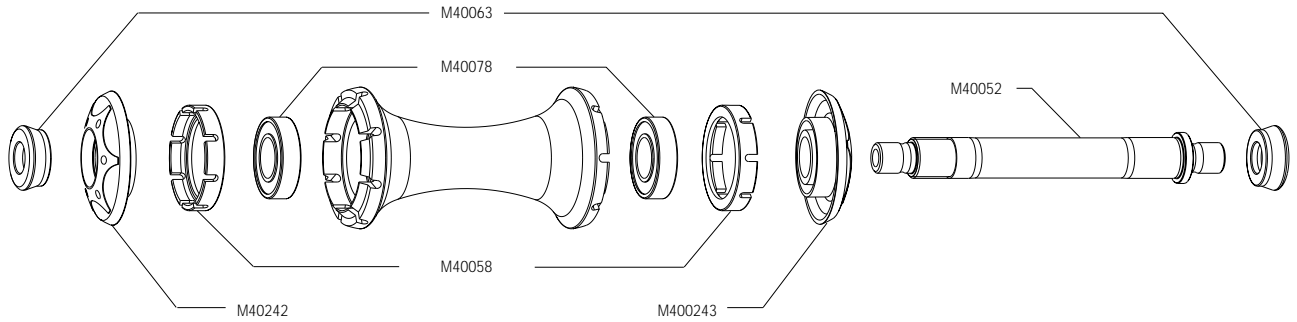
USE : to be used only on a road or triathlon bike. Any other use (such as on a tandem or on a mountain bike...) is inadvisable and is the sole responsibility of the user, which voids the Mavic warranty.

WHEEL WEIGHT WITHOUT SKEWER : FRONT CLINCHER OR TUBULAR Ø 700 : 880 g. - REAR : 1090 g. FRONT TUBULAR Ø 650 : 730 g. REAR TUBULAR Ø 650 : 995 g.  
 Ø 700 FRONT WHEEL CLINCHER : M23500. REAR WHEEL CLINCHER : M23501. FRONT WHEEL TUBULAR : M23600. REAR WHEEL TUBULAR : M23601.  
 Ø 650 FRONT WHEEL TUBULAR : M23602. REAR WHEEL TUBULAR : M23603.

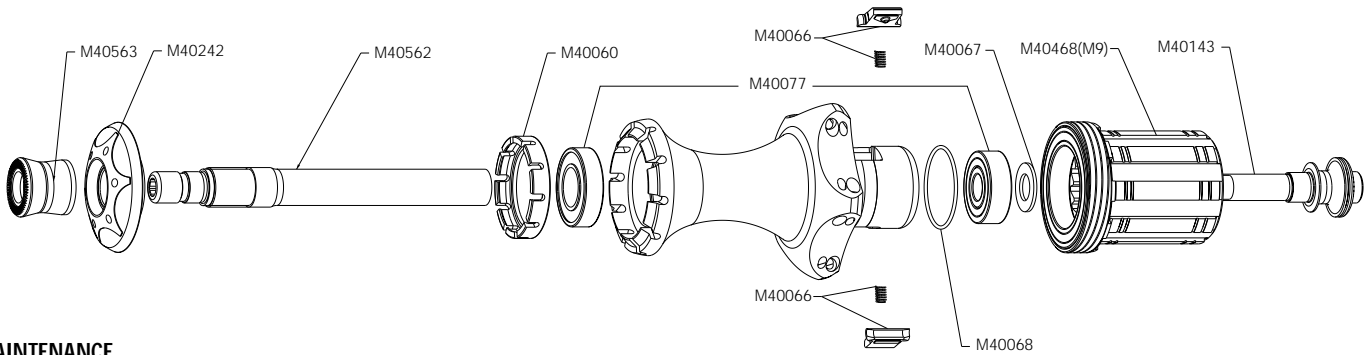
RIM	COMMERCIAL REFERENCES	Ø VALVE HOLE	SECTION OF THE TIRE AND RECOMMENDED PRESSURE	MAINTENANCE AND BRAKES
	Ø 700 Front clincher : M40541 Rear clincher : M40542 Front tubular : M40543 Rear tubular : M40544	 Ø 6,5 mm Valve extension M40012 L ≥ 55 mm	 Ø 700 : Compatible ETRTO 622 x 13 (clincher) 633 mm (tubular). Section : see page 4.  Ø 650 : Compatible ETRTO 584 mm (tubular). See page 4.	Gluing : see page 23. Maintenance : see page 22. Brakes : see page 23.
	Ø 650 Front tubular : M40545 Rear tubular : M40546			
Available through the MSC.				

## HUB

### HUB FRONT



### REAR HUB



### MAINTENANCE

Cleaning : Use a dry cloth or soap and water.  
 Do not use pressurized water.  
 Maintenance : see pages 10 - 15.

WHEEL BUILDING	FEATURES	TENSION	MAINTENANCE
<b>QUANTITY PER PACKAGE :</b> 10 spokes + 10 nipples. <b>NIPPLES :</b> Front nipples : nickel plated brass, spherical head, 12mm. Rear nipples : nickel plated brass, ABS system, 12 mm.	<b>SPOKES :</b> Length and reference : Front / Rear left Ø 700 : 293 mm / M40553. Rear right Ø 700 : 307 mm / M40554. Front / Rear left Ø 650 : 268 mm / M40557. Rear right Ø 650 : 280 mm / M40558.	Front : 110 to 130 kg. Rear right : 130 to 150 kg.	Lateral and radial truing : see page 16. Replacing the spokes : see pages 17 - 18.

ACCESSORIES	WHEEL DELIVERED WITH :
	<ul style="list-style-type: none"> <li>BR 601 Mavic quick release front Composite: M40149.</li> <li>BR 601 Mavic quick release rear Composite: M40150.</li> <li>Rim tape 16 x 622 mm : M40107.</li> <li>16 x 571 mm : M40254.</li> <li>Free play adjustment key :M40123.</li> <li>Key for spoke tension : M40001.</li> <li>Black bag : M40135.</li> <li>Instructions and warranty coupon.</li> </ul>