

AKSIUM

USE: use only on a road bike. Any other use (such as on a tandem, cyclo-cross bike, mountain bike...) is strongly inadvisable, is the sole responsibility of the user and voids the Mavic warranty.

WHEEL WEIGHTS WITHOUT QUICK RELEASE SKEWER:




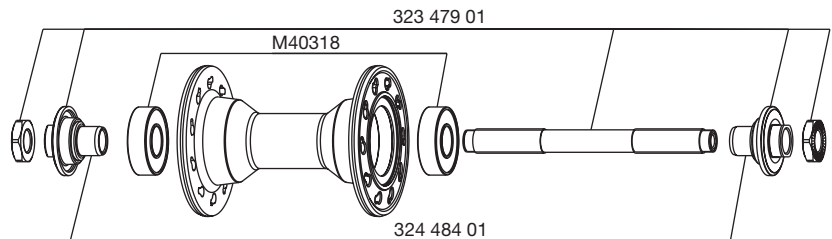
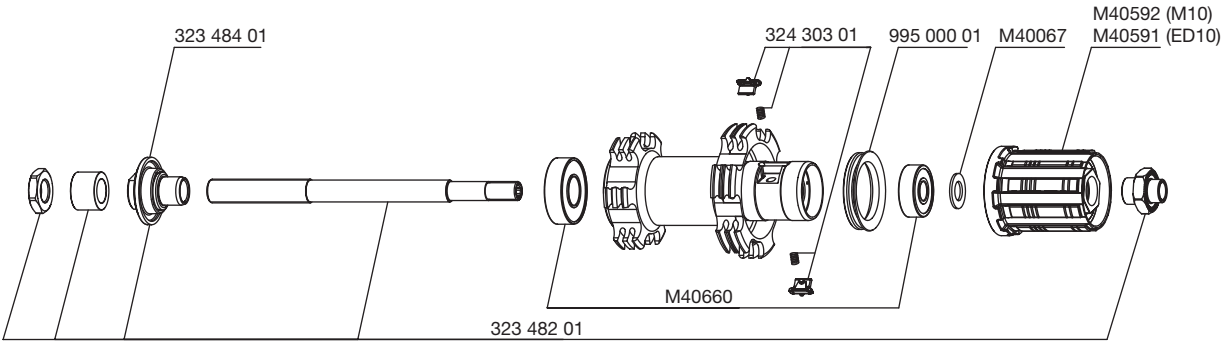
Front: 920 g
Rear M10: 1075 g
Rear ED10: 1060 g

BLACK WHEEL REFERENCES:

Front: 323 992 10
Rear M10: 323 993 11
Rear ED10: 323 994 12
Pair M10 : 324 071 14
Pair ED10: 324 072 14

SILVER WHEEL REFERENCES:

Front: 323 980 10
Rear M10: 323 981 11
Rear ED10: 323 982 12
Pair M10: 324 064 14
Pair ED10: 324 065 14

RIMS	<p>SALES REFERENCES: Black: Front: 324 177 10 Rear: 324 177 13 Silver: Front: 324 176 10 Rear: 324 176 13</p>	
WIDTH	<p>VALVE HOLE Ø</p>  <p>Ø: 6,5 mm Length.: ≥ 32 mm</p>	<p>RECOMMENDED TIRE WIDTH AND PRESSURE</p>  <p>Dimensions: Ø 700 only ETRTO 622 x 15 compatible Recommended tire width: 19 to 32</p>  <p>Recommended tire pressure: See page 14</p>
HUBS	<p>MAINTENANCE: clean with dry cloth or soap and water Do not use pressurized water</p>	
		
		
WHEEL BUILDING	<p>REFERENCES AND LENGTHS: Black front: 324 192 01, length 278 mm (per 10 with nipples) Black rear: 324 193 01, length 302 mm (per 12 with nipples) Silver front: 324 190 01, length 278 mm (per 10 with nipples) Silver rear: 324 191 01, length 302 mm (per 12 with nipples)</p>	
<p>FEATURES: Silver or black, profiled, stainless steel, bent (front), straight pull (rear), with ABS nipples (self-locking)</p>		<p>LACING PATTERN: Front: radial Rear: crossed 2 on both sides</p>
		<p>TENSION: Front: 75 to 90 kg Rear free wheel side: 130 to 160 kg</p>
ACCESSORIES	<p>WHEEL DELIVERED WITH:</p> <ul style="list-style-type: none"> • Traditional aluminium front quick release skewer M40350 • Traditional aluminum rear quick release skewer M40351 • ED10 12D locking ring (M40640) with rear wheel • Rim tape 622x18x0.6 • User guide and warranty card 	MAINTENANCE
		<ul style="list-style-type: none"> • Replacement of a front wheel spoke or rim <p>See page 17</p> <p>For all other maintenance procedures (hubs, spoke lacing...), refer to the 2004 technical manual (Ksyrium Equipe section) or consult the website www.tech-mavic.com</p>

WHEELS