

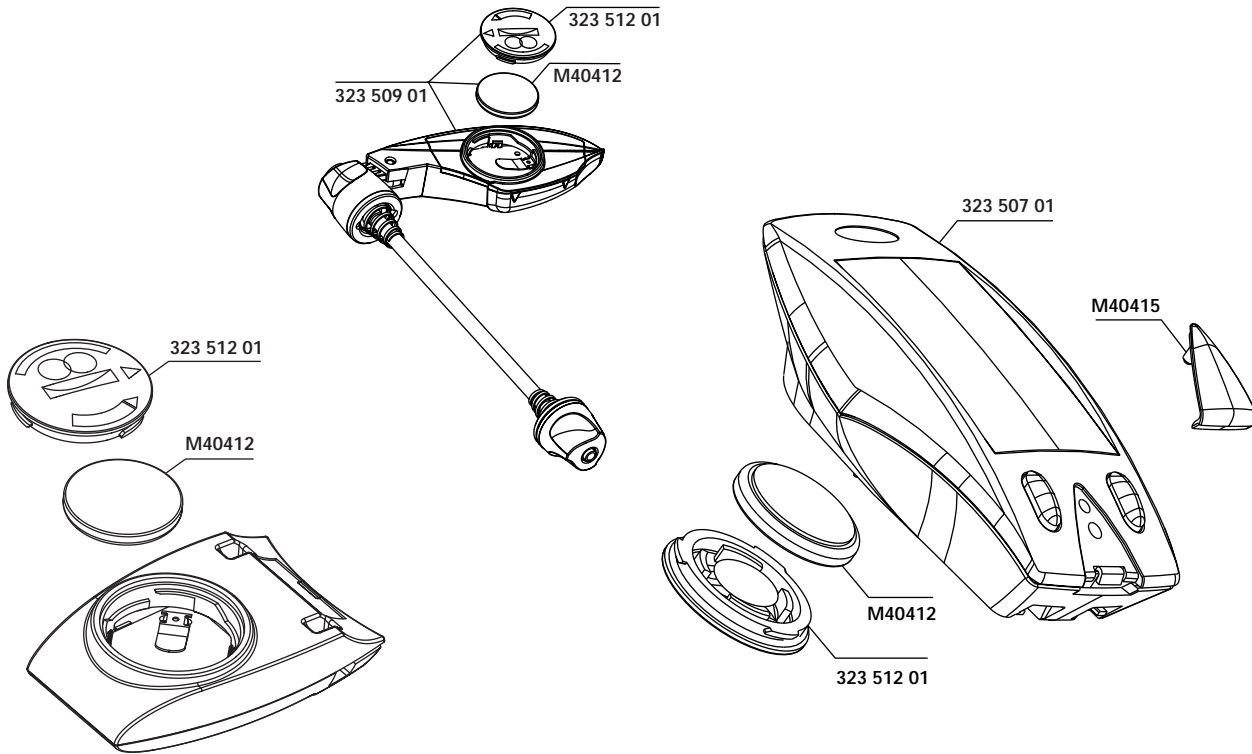
WIN[®] -Tech

USE : Use only on a cross-country or cross mountain MTB, a road bike, a tandem or an Asphalt type of bike. Any other use (such as on an Extreme MTB, cyclo-cross bike...) is strongly inadvisable, and is the sole responsibility of the user, which voids the Mavic warranty.

WEIGHT :
 Computer : 46 g
 Computer bracket : 8 g
 Sensor skewer : 74 g
 Cadence sensor : 18 g

REFERENCES :
 WIN-Tech : 323 594 01
 WIN-Tech + cadence :
 Pedaling cadence option : 323 596 01

SPARE PARTS



MAINTENANCE : Clean with dry cloth or soap and water. Do not use pressurized water.
 Do not store near a window exposed to the sun for a long period of time.

REFERENCES FOR ACCESSORIES

Fixing ties : M40390, pack of 50 ties
Wheel magnet bracket : M40540
Crank magnet : 323 510 01
Computer bracket kit : 323 511 01 (includes the bracket, double-sided tape, orientation wedge and 3 fixing ties)

RANGE OF FUNCTIONS

Power supply : battery CR2032 (Computer, sensor skewer and pedaling cadence sensor)
Circumference : minimum : 150 cm, maximum : 250 cm.
Unit : distance and speed in miles or kilometers
Time format : 24 H
Water resistance : Resistant to rainwater. Avoid total immersion of the electronic elements and do not use pressurized water.

Functional range of temperature : -10 to + 50°C / 14 to 122°F
Cumulative odometer : up to 99 999 km or m
Daily distance : up to 9999,9 km or m
Stopwatch : up to 9:59:59
Speed : up to 99,9 km/h or m/h
Cadence : up to 180 turns / mn

INSTALLATION, USE, SET UP AND PROGRAMING

• Installation : See page 42 - 43

• Use : See page 44

• Installation : See pages 44 - 45