


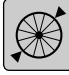

# CROSSRIDE™

Use : **Use only on an MTB equipped with a rim braking system.** Any other use (such as on a road bike, tandem, cyclo-cross bike, ...) is highly inadvisable, and is the sole responsibility of the user, which voids the Mavic® warranty.

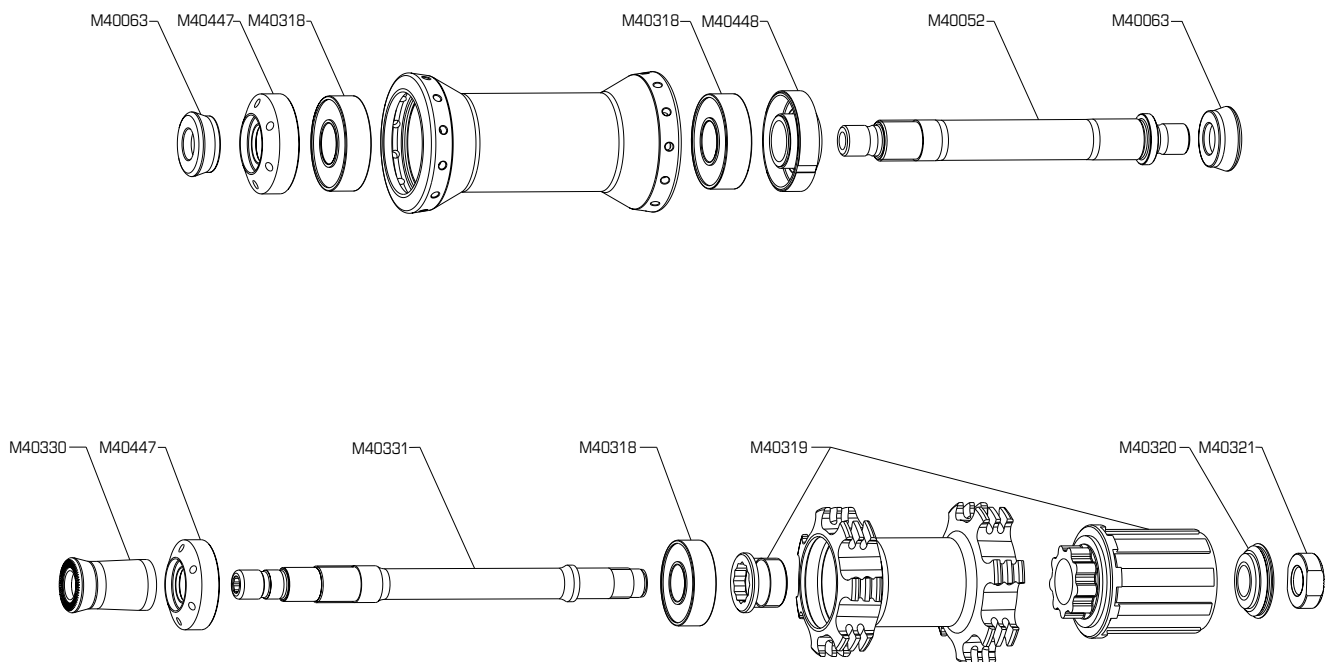
WHEEL WEIGHT WITHOUT SKEWER :  
FRONT : 730 g.  
REAR : 1020 g.

REF. WHEEL :  
FRONT : M25500  
REAR : M25501  
PAIR : M29095

## RIM

COMMERCIAL REFERENCES	VALVE HOLE Ø	RECOMMENDED TIRE WIDTH AND PRESSURE
Front : M40760 (new reference) Rear : M40761 (new reference)	 Ø : 8,5 mm Length: ≥ 32 mm	 Dimensions: Ø 26" only ETRTO compatible 559 x 17 Recommended tire width: 1,5 - 2,3  Recommended tire pressure: See page 6

## HUBS



**MAINTENANCE:** Clean with a dry cloth or soap and water.  
Do not use pressurized water.

## WHEEL BUILDING

<b>FEATURES :</b>	2.3-2.0 round stainless steel straight pull spokes with ABS (self-locking) type of nipples in front	<b>LACING PATTERN :</b>	Front : radial Rear : 3 cross pattern on both sides
<b>REFERENCE :</b>	Front : M40208, length 255 mm (per 10) Rear : M40207, length 275 mm (per 10)	<b>TENSION :</b>	Front and rear free wheel side: 90 - 100 kg

## ACCESSORIES

### WHEEL DELIVERED WITH :

- Front quick release skewer : M40350
- Rear quick release skewer: M40352
- Rim tape

- Free play adjustment wrench : M40123 (with rear wheel)
- Instructions and warranty card

## MAINTENANCE

For all maintenance procedures (removing the front hub, removing the rear hub, replacing spokes or rims), refer to the 2000 technical manual or our website address <http://www.tech-mavic.com>.