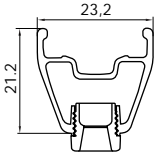



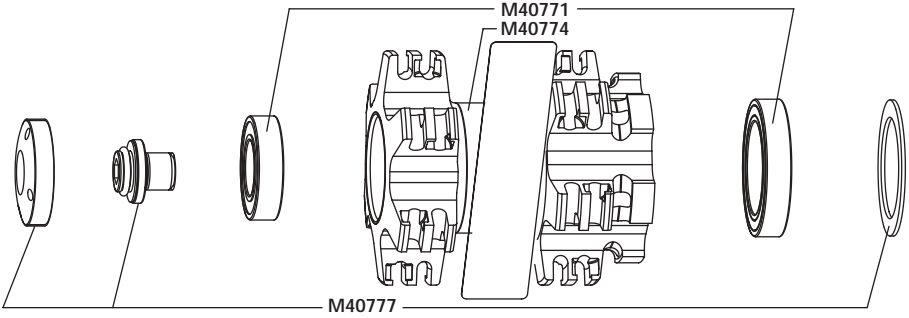
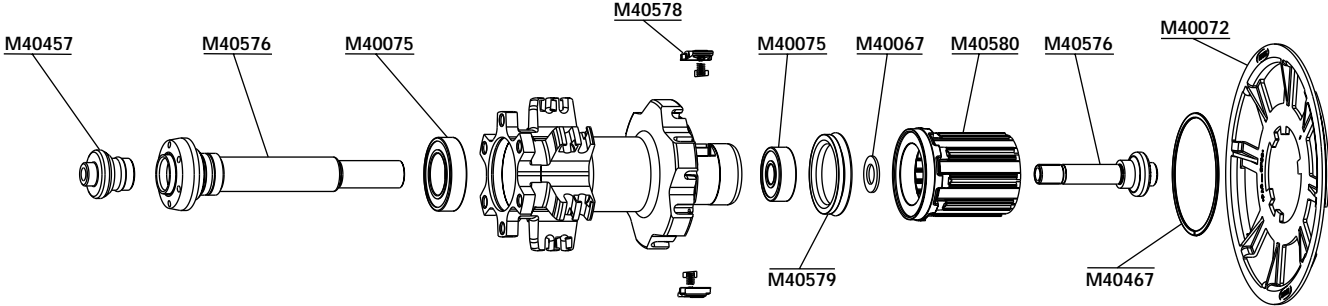


CROSSMAX™ SL DISC LEFTY

USE : Use only on an MTB equipped with disc brakes. Any other use (such as on an MTB equipped with rim brakes, a tandem, road bike, cyclo-cross bike...) is strongly inadvisable, and is the sole responsibility of the user, which voids the Mavic warranty.

WHEEL WEIGHT WITHOUT SKEWER :
 Front : 745 g
 Rear : 915 g

WHEEL REF :
 Front : M25600
 Rear : M25101
 Pair : M29097

| | | |
|---|---|--|
| <p>RIMS</p> | <p>COMMERCIAL REFERENCES : do not use rim tape Front : M40741 Rear : M40742</p> | |
|  | <p>VALVE HOLE Ø Ø : 6,5 mm Length. : = 32 mm</p>  | <p>RECOMMENDED TIRE WIDTH AND PRESSURE</p> <p>Dimensions : Ø 26" only Compatible ETRTO 559 x 19 Recommended tire width : 1,00 - 2,30</p>  <p>Recommended tire pressure : See page 05</p>  |
| <p>HUBS</p> | <p>MAINTENANCE : Clean with dry cloth or soap and water. Do not use pressurized water. Caution : The parts on the FTS-L free wheel (pawl assembly, springs, free wheel body) are not compatible with those on the FTS free wheels.</p> | |
|  | | |
|  | | |
| <p>WHEEL BUILDING</p> | <p>REFERENCE : Front and rear OFW : M40743 length 268 mm (per 12) Rear FWS : M40745 length 250 mm (per 12)</p> | |
| <p>FEATURES : Silver, aerodynamic, zicral spokes with anti-rotation system. Integrated nipples with bake ring (self-locking).</p> | <p>LACING PATTERN : Front and rear : Crossed 2 on both sides</p> | <p>TENSION : Front : 120 - 130 kg Rear free wheel side : 130 - 140 kg</p> |
| <p>ACCESSORIES</p> | <p>WHEEL DELIVERED WITH :</p> | <p>MAINTENANCE</p> |
| <ul style="list-style-type: none"> • Rear Mavic BX601 quick release skewer : M40141 • Chain Disc (with rear wheel) : M40072 • Free play adjustment wrench (with rear wheel) : M40123 • Computer magnet M40540 (with front wheel) • UST valve M40495 • Spoke tension and maintenance wrench (with rear wheel) : M40494 • User guide and warranty card | | <ul style="list-style-type: none"> • Mounting and removing the front wheel on the fork : See page 18 • Replacing the front bearings : See page 18 <p>For any other maintenance procedures (removing the rear hub, replacing spokes and rims), refer to our website www.tech-mavic.com or to your 2003 technical manual (section Crossmax SL Disc).</p> |

WHEELS